



# Product Specification

G270QAN01.0

AU OPTRONICS CORPORATION

- ( ) Preliminary Specifications
- ( v ) Final Specifications

<b>Module</b>	27 Inch Color TFT-LCD
<b>Model Name</b>	G270QAN01.0 (97.27G03.001)

<table style="width: 100%; border-collapse: collapse;"> <tr> <td style="width: 60%;"><b>Customer</b></td> <td style="width: 40%;"><b>Date</b></td> </tr> <tr> <td style="border-top: 1px solid black; height: 40px;"></td> <td style="border-top: 1px solid black;"></td> </tr> <tr> <td style="padding-top: 20px;"><b>Checked &amp; Approved by</b></td> <td style="padding-top: 20px;"><b>Date</b></td> </tr> <tr> <td style="border-top: 1px solid black; height: 40px;"></td> <td style="border-top: 1px solid black;"></td> </tr> </table>	<b>Customer</b>	<b>Date</b>			<b>Checked &amp; Approved by</b>	<b>Date</b>			<table style="width: 100%; border-collapse: collapse;"> <tr> <td style="width: 60%;"><b>Approved by</b></td> <td style="width: 40%;"><b>Date</b></td> </tr> <tr> <td style="border-top: 1px solid black; padding-top: 20px;"><b><u>Jason CL Pan</u></b></td> <td style="border-top: 1px solid black; padding-top: 20px;"><b><u>Apr.15, 2020</u></b></td> </tr> <tr> <td style="padding-top: 20px;"><b>Prepared by</b></td> <td style="padding-top: 20px;"><b>Date</b></td> </tr> <tr> <td style="border-top: 1px solid black; padding-top: 20px;"><b><u>Audrey HC Lin</u></b></td> <td style="border-top: 1px solid black; padding-top: 20px;"><b><u>Apr.15, 2020</u></b></td> </tr> </table>	<b>Approved by</b>	<b>Date</b>	<b><u>Jason CL Pan</u></b>	<b><u>Apr.15, 2020</u></b>	<b>Prepared by</b>	<b>Date</b>	<b><u>Audrey HC Lin</u></b>	<b><u>Apr.15, 2020</u></b>
<b>Customer</b>	<b>Date</b>																
<b>Checked &amp; Approved by</b>	<b>Date</b>																
<b>Approved by</b>	<b>Date</b>																
<b><u>Jason CL Pan</u></b>	<b><u>Apr.15, 2020</u></b>																
<b>Prepared by</b>	<b>Date</b>																
<b><u>Audrey HC Lin</u></b>	<b><u>Apr.15, 2020</u></b>																
Customer's sign back page	General Display Business Division / AU Optronics corporation																

## Contents

<b>1. Operating Precautions</b> .....	<b>5</b>
<b>2. General Description</b> .....	<b>6</b>
2.1 Display Characteristics .....	6
2.2 Optical Characteristics .....	7
<b>3. Functional Block Diagram</b> .....	<b>10</b>
<b>4. Absolute Maximum Ratings</b> .....	<b>11</b>
4.1 Absolute Ratings of TFT LCD Module .....	11
4.2 Absolute Ratings of Environment .....	11
<b>5. Electrical Characteristics</b> .....	<b>12</b>
5.1 TFT LCD Module .....	12
5.2 Backlight Unit .....	14
<b>6. Signal Characteristic</b> .....	<b>17</b>
6.1 Pixel Format Image .....	17
6.2 LVDS Data Format .....	18
6.3 Signal Description .....	19
6.4 Interface Timing .....	23
6.5 Power ON/OFF Sequence .....	25
<b>7. Reliability Test Criteria</b> .....	<b>26</b>
<b>8. Mechanical Characteristics</b> .....	<b>27</b>
8.1 LCM Outline Dimension .....	27
<b>9. Label and Packaging</b> .....	<b>29</b>
9.1 Shipping Label (on the rear side of TFT-LCD display) .....	29
9.2 Carton Package .....	29
<b>10 Safety</b> .....	<b>30</b>
10.1 Sharp Edge Requirements .....	30
10.2 Materials .....	30
10.3 Capacitors .....	30
10.4 National Test Lab Requirement .....	30

## Record of Revision

Version	Date (yyyy.mm.dd)	Page	Old description	New Description																																																																																		
00	2019.07.01	-	First edition																																																																																			
01	2019.07.31	5	Power consumption Total: 25.4W (typ.) LCD = 6W @Full-White pattern, FV=60Hz BLU= 19.4W	Power consumption Total: 21W (typ.) LCD = 3.7W @Full-White pattern, FV=60Hz BLU= 17.3W																																																																																		
		6	(1) ILED = 90mA (center point) <table border="1"><thead><tr><th>Item<sup>1)</sup></th><th>Unit<sup>1)</sup></th><th>Conditions<sup>2)</sup></th><th>Min.<sup>3)</sup></th><th>Typ.<sup>4)</sup></th><th>Max.<sup>5)</sup></th></tr></thead><tbody><tr><td>White Luminance<sup>6)</sup></td><td>cd/m<sup>2</sup></td><td>ILED=90mA(center point)<sup>7)</sup></td><td>280<sup>8)</sup></td><td>350<sup>9)</sup></td><td>-<sup>10)</sup></td></tr></tbody></table> (2) Color / Chromaticity Coordinates <table border="1"><thead><tr><th>Color / Chromaticity Coordinates<sup>1)</sup> (CIE 1931)<sup>2)</sup></th><th>Red x<sup>3)</sup></th><th>Red y<sup>3)</sup></th><th>Green x<sup>3)</sup></th><th>Green y<sup>3)</sup></th><th>Blue x<sup>3)</sup></th><th>Blue y<sup>3)</sup></th><th>White x<sup>3)</sup></th><th>White y<sup>3)</sup></th></tr></thead><tbody><tr><td></td><td>TBD<sup>4)</sup></td><td>TBD<sup>4)</sup></td><td>TBD<sup>4)</sup></td><td>TBD<sup>4)</sup></td><td>TBD<sup>4)</sup></td><td>TBD<sup>4)</sup></td><td>0.283<sup>5)</sup></td><td>0.313<sup>5)</sup></td></tr><tr><td></td><td></td><td></td><td></td><td></td><td></td><td></td><td>0.299<sup>5)</sup></td><td>0.329<sup>5)</sup></td></tr></tbody></table>	Item <sup>1)</sup>	Unit <sup>1)</sup>	Conditions <sup>2)</sup>	Min. <sup>3)</sup>	Typ. <sup>4)</sup>	Max. <sup>5)</sup>	White Luminance <sup>6)</sup>	cd/m <sup>2</sup>	ILED=90mA(center point) <sup>7)</sup>	280 <sup>8)</sup>	350 <sup>9)</sup>	- <sup>10)</sup>	Color / Chromaticity Coordinates <sup>1)</sup> (CIE 1931) <sup>2)</sup>	Red x <sup>3)</sup>	Red y <sup>3)</sup>	Green x <sup>3)</sup>	Green y <sup>3)</sup>	Blue x <sup>3)</sup>	Blue y <sup>3)</sup>	White x <sup>3)</sup>	White y <sup>3)</sup>		TBD <sup>4)</sup>	TBD <sup>4)</sup>	TBD <sup>4)</sup>	TBD <sup>4)</sup>	TBD <sup>4)</sup>	TBD <sup>4)</sup>	0.283 <sup>5)</sup>	0.313 <sup>5)</sup>								0.299 <sup>5)</sup>	0.329 <sup>5)</sup>	(1) ILED = 80mA (center point) <table border="1"><thead><tr><th>Item</th><th>Unit</th><th>Conditions</th><th>Min.</th><th>Typ.</th><th>Max.</th></tr></thead><tbody><tr><td>White Luminance</td><td>cd/m<sup>2</sup></td><td>ILED=80mA(center point)</td><td>280</td><td>350</td><td>-</td></tr></tbody></table> (2) Color / Chromaticity Coordinates Add R/G/B <table border="1"><thead><tr><th>Color / Chromaticity Coordinates<sup>1)</sup> (CIE 1931)<sup>2)</sup></th><th>Red x<sup>3)</sup></th><th>Red y<sup>3)</sup></th><th>Green x<sup>3)</sup></th><th>Green y<sup>3)</sup></th><th>Blue x<sup>3)</sup></th><th>Blue y<sup>3)</sup></th><th>White x<sup>3)</sup></th><th>White y<sup>3)</sup></th></tr></thead><tbody><tr><td></td><td>0.654<sup>4)</sup></td><td>0.684<sup>4)</sup></td><td>0.180<sup>4)</sup></td><td>0.210<sup>4)</sup></td><td>0.017<sup>4)</sup></td><td>0.047<sup>4)</sup></td><td>0.283<sup>5)</sup></td><td>0.313<sup>5)</sup></td></tr><tr><td></td><td>0.278<sup>4)</sup></td><td>0.308<sup>4)</sup></td><td>0.689<sup>4)</sup></td><td>0.719<sup>4)</sup></td><td>0.124<sup>4)</sup></td><td>0.154<sup>4)</sup></td><td>0.299<sup>5)</sup></td><td>0.329<sup>5)</sup></td></tr></tbody></table>	Item	Unit	Conditions	Min.	Typ.	Max.	White Luminance	cd/m <sup>2</sup>	ILED=80mA(center point)	280	350	-	Color / Chromaticity Coordinates <sup>1)</sup> (CIE 1931) <sup>2)</sup>	Red x <sup>3)</sup>	Red y <sup>3)</sup>	Green x <sup>3)</sup>	Green y <sup>3)</sup>	Blue x <sup>3)</sup>	Blue y <sup>3)</sup>	White x <sup>3)</sup>	White y <sup>3)</sup>		0.654 <sup>4)</sup>	0.684 <sup>4)</sup>	0.180 <sup>4)</sup>	0.210 <sup>4)</sup>	0.017 <sup>4)</sup>	0.047 <sup>4)</sup>	0.283 <sup>5)</sup>	0.313 <sup>5)</sup>		0.278 <sup>4)</sup>	0.308 <sup>4)</sup>	0.689 <sup>4)</sup>	0.719 <sup>4)</sup>	0.124 <sup>4)</sup>	0.154 <sup>4)</sup>	0.299 <sup>5)</sup>	0.329 <sup>5)</sup>				
		Item <sup>1)</sup>	Unit <sup>1)</sup>	Conditions <sup>2)</sup>	Min. <sup>3)</sup>	Typ. <sup>4)</sup>	Max. <sup>5)</sup>																																																																															
		White Luminance <sup>6)</sup>	cd/m <sup>2</sup>	ILED=90mA(center point) <sup>7)</sup>	280 <sup>8)</sup>	350 <sup>9)</sup>	- <sup>10)</sup>																																																																															
Color / Chromaticity Coordinates <sup>1)</sup> (CIE 1931) <sup>2)</sup>	Red x <sup>3)</sup>	Red y <sup>3)</sup>	Green x <sup>3)</sup>	Green y <sup>3)</sup>	Blue x <sup>3)</sup>	Blue y <sup>3)</sup>	White x <sup>3)</sup>	White y <sup>3)</sup>																																																																														
	TBD <sup>4)</sup>	TBD <sup>4)</sup>	TBD <sup>4)</sup>	TBD <sup>4)</sup>	TBD <sup>4)</sup>	TBD <sup>4)</sup>	0.283 <sup>5)</sup>	0.313 <sup>5)</sup>																																																																														
							0.299 <sup>5)</sup>	0.329 <sup>5)</sup>																																																																														
Item	Unit	Conditions	Min.	Typ.	Max.																																																																																	
White Luminance	cd/m <sup>2</sup>	ILED=80mA(center point)	280	350	-																																																																																	
Color / Chromaticity Coordinates <sup>1)</sup> (CIE 1931) <sup>2)</sup>	Red x <sup>3)</sup>	Red y <sup>3)</sup>	Green x <sup>3)</sup>	Green y <sup>3)</sup>	Blue x <sup>3)</sup>	Blue y <sup>3)</sup>	White x <sup>3)</sup>	White y <sup>3)</sup>																																																																														
	0.654 <sup>4)</sup>	0.684 <sup>4)</sup>	0.180 <sup>4)</sup>	0.210 <sup>4)</sup>	0.017 <sup>4)</sup>	0.047 <sup>4)</sup>	0.283 <sup>5)</sup>	0.313 <sup>5)</sup>																																																																														
	0.278 <sup>4)</sup>	0.308 <sup>4)</sup>	0.689 <sup>4)</sup>	0.719 <sup>4)</sup>	0.124 <sup>4)</sup>	0.154 <sup>4)</sup>	0.299 <sup>5)</sup>	0.329 <sup>5)</sup>																																																																														
11	5.1 TFT LCD Module 5.1.1 Power Specification <table border="1"><thead><tr><th>Symbol<sup>1)</sup></th><th>Parameter<sup>2)</sup></th><th>Min.</th><th>Typ.</th><th>Max.</th><th>Units</th><th>Remark<sup>3)</sup></th></tr></thead><tbody><tr><td>VDD<sup>4)</sup></td><td>Logic/LCD Drive Voltage<sup>5)</sup></td><td>4.5<sup>6)</sup></td><td>5.5<sup>6)</sup></td><td>5.5<sup>6)</sup></td><td>[Volt]</td><td>±10%<sup>7)</sup></td></tr><tr><td>ID0<sup>4)</sup></td><td>VDD Current<sup>5)</sup></td><td>-<sup>8)</sup></td><td>1.2<sup>8)</sup></td><td>1.32<sup>8)</sup></td><td>[A]</td><td>Vin=5V, White Pattern, at 60Hz<sup>9)</sup></td></tr><tr><td>Inrush<sup>4)</sup></td><td>LCD Inrush Current<sup>5)</sup></td><td>-<sup>8)</sup></td><td>-<sup>8)</sup></td><td>5<sup>8)</sup></td><td>[A]</td><td>Note 1<sup>10)</sup></td></tr><tr><td>PDD<sup>4)</sup></td><td>VDD Power<sup>5)</sup></td><td>-<sup>8)</sup></td><td>6<sup>8)</sup></td><td>6.6<sup>8)</sup></td><td>[Watt]</td><td>Vin=5V, White Pattern, at 60Hz<sup>9)</sup></td></tr><tr><td>VDDrp<sup>4)</sup></td><td>Allowable Logic/LCD Drive Ripple Voltage<sup>5)</sup></td><td>-<sup>8)</sup></td><td>-<sup>8)</sup></td><td>500<sup>8)</sup></td><td>[mV] p-p</td><td>With panel loading<sup>9)</sup></td></tr></tbody></table>	Symbol <sup>1)</sup>	Parameter <sup>2)</sup>	Min.	Typ.	Max.	Units	Remark <sup>3)</sup>	VDD <sup>4)</sup>	Logic/LCD Drive Voltage <sup>5)</sup>	4.5 <sup>6)</sup>	5.5 <sup>6)</sup>	5.5 <sup>6)</sup>	[Volt]	±10% <sup>7)</sup>	ID0 <sup>4)</sup>	VDD Current <sup>5)</sup>	- <sup>8)</sup>	1.2 <sup>8)</sup>	1.32 <sup>8)</sup>	[A]	Vin=5V, White Pattern, at 60Hz <sup>9)</sup>	Inrush <sup>4)</sup>	LCD Inrush Current <sup>5)</sup>	- <sup>8)</sup>	- <sup>8)</sup>	5 <sup>8)</sup>	[A]	Note 1 <sup>10)</sup>	PDD <sup>4)</sup>	VDD Power <sup>5)</sup>	- <sup>8)</sup>	6 <sup>8)</sup>	6.6 <sup>8)</sup>	[Watt]	Vin=5V, White Pattern, at 60Hz <sup>9)</sup>	VDDrp <sup>4)</sup>	Allowable Logic/LCD Drive Ripple Voltage <sup>5)</sup>	- <sup>8)</sup>	- <sup>8)</sup>	500 <sup>8)</sup>	[mV] p-p	With panel loading <sup>9)</sup>	5.1 TFT LCD Module 5.1.1 Power Specification <table border="1"><thead><tr><th>Symbol<sup>1)</sup></th><th>Parameter<sup>2)</sup></th><th>Min.</th><th>Typ.</th><th>Max.</th><th>Units</th><th>Remark<sup>3)</sup></th></tr></thead><tbody><tr><td>VDD<sup>4)</sup></td><td>Logic/LCD Drive Voltage<sup>5)</sup></td><td>4.5<sup>6)</sup></td><td>5.5<sup>6)</sup></td><td>5.5<sup>6)</sup></td><td>[Volt]</td><td>±10%<sup>7)</sup></td></tr><tr><td>ID0<sup>4)</sup></td><td>VDD Current<sup>5)</sup></td><td>-<sup>8)</sup></td><td>0.74<sup>8)</sup></td><td>0.89<sup>8)</sup></td><td>[A]</td><td>Vin=5V, White Pattern, at 60Hz<sup>9)</sup></td></tr><tr><td>Inrush<sup>4)</sup></td><td>LCD Inrush Current<sup>5)</sup></td><td>-<sup>8)</sup></td><td>-<sup>8)</sup></td><td>5<sup>8)</sup></td><td>[A]</td><td>Note 1<sup>10)</sup></td></tr><tr><td>PDD<sup>4)</sup></td><td>VDD Power<sup>5)</sup></td><td>-<sup>8)</sup></td><td>3.7<sup>8)</sup></td><td>4.5<sup>8)</sup></td><td>[Watt]</td><td>Vin=5V, White Pattern, at 60Hz<sup>9)</sup></td></tr><tr><td>VDDrp<sup>4)</sup></td><td>Allowable Logic/LCD Drive Ripple Voltage<sup>5)</sup></td><td>-<sup>8)</sup></td><td>-<sup>8)</sup></td><td>500<sup>8)</sup></td><td>[mV] p-p</td><td>With panel loading<sup>9)</sup></td></tr></tbody></table>	Symbol <sup>1)</sup>	Parameter <sup>2)</sup>	Min.	Typ.	Max.	Units	Remark <sup>3)</sup>	VDD <sup>4)</sup>	Logic/LCD Drive Voltage <sup>5)</sup>	4.5 <sup>6)</sup>	5.5 <sup>6)</sup>	5.5 <sup>6)</sup>	[Volt]	±10% <sup>7)</sup>	ID0 <sup>4)</sup>	VDD Current <sup>5)</sup>	- <sup>8)</sup>	0.74 <sup>8)</sup>	0.89 <sup>8)</sup>	[A]	Vin=5V, White Pattern, at 60Hz <sup>9)</sup>	Inrush <sup>4)</sup>	LCD Inrush Current <sup>5)</sup>	- <sup>8)</sup>	- <sup>8)</sup>	5 <sup>8)</sup>	[A]	Note 1 <sup>10)</sup>	PDD <sup>4)</sup>	VDD Power <sup>5)</sup>	- <sup>8)</sup>	3.7 <sup>8)</sup>	4.5 <sup>8)</sup>	[Watt]	Vin=5V, White Pattern, at 60Hz <sup>9)</sup>	VDDrp <sup>4)</sup>	Allowable Logic/LCD Drive Ripple Voltage <sup>5)</sup>	- <sup>8)</sup>	- <sup>8)</sup>	500 <sup>8)</sup>	[mV] p-p	With panel loading <sup>9)</sup>
Symbol <sup>1)</sup>	Parameter <sup>2)</sup>	Min.	Typ.	Max.	Units	Remark <sup>3)</sup>																																																																																
VDD <sup>4)</sup>	Logic/LCD Drive Voltage <sup>5)</sup>	4.5 <sup>6)</sup>	5.5 <sup>6)</sup>	5.5 <sup>6)</sup>	[Volt]	±10% <sup>7)</sup>																																																																																
ID0 <sup>4)</sup>	VDD Current <sup>5)</sup>	- <sup>8)</sup>	1.2 <sup>8)</sup>	1.32 <sup>8)</sup>	[A]	Vin=5V, White Pattern, at 60Hz <sup>9)</sup>																																																																																
Inrush <sup>4)</sup>	LCD Inrush Current <sup>5)</sup>	- <sup>8)</sup>	- <sup>8)</sup>	5 <sup>8)</sup>	[A]	Note 1 <sup>10)</sup>																																																																																
PDD <sup>4)</sup>	VDD Power <sup>5)</sup>	- <sup>8)</sup>	6 <sup>8)</sup>	6.6 <sup>8)</sup>	[Watt]	Vin=5V, White Pattern, at 60Hz <sup>9)</sup>																																																																																
VDDrp <sup>4)</sup>	Allowable Logic/LCD Drive Ripple Voltage <sup>5)</sup>	- <sup>8)</sup>	- <sup>8)</sup>	500 <sup>8)</sup>	[mV] p-p	With panel loading <sup>9)</sup>																																																																																
Symbol <sup>1)</sup>	Parameter <sup>2)</sup>	Min.	Typ.	Max.	Units	Remark <sup>3)</sup>																																																																																
VDD <sup>4)</sup>	Logic/LCD Drive Voltage <sup>5)</sup>	4.5 <sup>6)</sup>	5.5 <sup>6)</sup>	5.5 <sup>6)</sup>	[Volt]	±10% <sup>7)</sup>																																																																																
ID0 <sup>4)</sup>	VDD Current <sup>5)</sup>	- <sup>8)</sup>	0.74 <sup>8)</sup>	0.89 <sup>8)</sup>	[A]	Vin=5V, White Pattern, at 60Hz <sup>9)</sup>																																																																																
Inrush <sup>4)</sup>	LCD Inrush Current <sup>5)</sup>	- <sup>8)</sup>	- <sup>8)</sup>	5 <sup>8)</sup>	[A]	Note 1 <sup>10)</sup>																																																																																
PDD <sup>4)</sup>	VDD Power <sup>5)</sup>	- <sup>8)</sup>	3.7 <sup>8)</sup>	4.5 <sup>8)</sup>	[Watt]	Vin=5V, White Pattern, at 60Hz <sup>9)</sup>																																																																																
VDDrp <sup>4)</sup>	Allowable Logic/LCD Drive Ripple Voltage <sup>5)</sup>	- <sup>8)</sup>	- <sup>8)</sup>	500 <sup>8)</sup>	[mV] p-p	With panel loading <sup>9)</sup>																																																																																
15	<b>LED characteristics</b> <table border="1"><thead><tr><th>Symbol</th><th>Parameter</th><th>Min.</th><th>Typ.</th><th>Max.</th><th>Units</th><th>Condition</th></tr></thead><tbody><tr><td>I<sub>f</sub></td><td>LED Forward Current</td><td>-</td><td>90</td><td>120</td><td>mA</td><td>Ta = 25°C</td></tr><tr><td>V<sub>f</sub> LED</td><td>Forward Voltage</td><td>-</td><td>54</td><td>61.2</td><td>-</td><td>-</td></tr><tr><td>P<sub>LED</sub></td><td>LED Power Consumption</td><td>-</td><td>19.4</td><td>29.4</td><td>Watt</td><td>If = 90 mA (typ.) Ta = 25°C</td></tr><tr><td>LTLED</td><td>LED Lifetime</td><td>30,000</td><td>-</td><td>-</td><td>Hrs.</td><td>If = 120 mA Ta = 25°C</td></tr></tbody></table>	Symbol	Parameter	Min.	Typ.	Max.	Units	Condition	I <sub>f</sub>	LED Forward Current	-	90	120	mA	Ta = 25°C	V <sub>f</sub> LED	Forward Voltage	-	54	61.2	-	-	P <sub>LED</sub>	LED Power Consumption	-	19.4	29.4	Watt	If = 90 mA (typ.) Ta = 25°C	LTLED	LED Lifetime	30,000	-	-	Hrs.	If = 120 mA Ta = 25°C	<b>LED characteristics</b> <table border="1"><thead><tr><th>Symbol</th><th>Parameter</th><th>Min.</th><th>Typ.</th><th>Max.</th><th>Units</th><th>Condition</th></tr></thead><tbody><tr><td>I<sub>f</sub></td><td>LED Forward Current</td><td>-</td><td>80</td><td>120</td><td>mA</td><td>Ta = 25°C</td></tr><tr><td>V<sub>f</sub> LED</td><td>Forward Voltage</td><td>-</td><td>54</td><td>61.2</td><td>-</td><td>-</td></tr><tr><td>P<sub>LED</sub></td><td>LED Power Consumption</td><td>-</td><td>17.3</td><td>29.4</td><td>Watt</td><td>If = 80 mA (typ.) Ta = 25°C</td></tr><tr><td>LTLED</td><td>LED Lifetime</td><td>30,000</td><td>-</td><td>-</td><td>Hrs.</td><td>If = 120 mA Ta = 25°C</td></tr></tbody></table>	Symbol	Parameter	Min.	Typ.	Max.	Units	Condition	I <sub>f</sub>	LED Forward Current	-	80	120	mA	Ta = 25°C	V <sub>f</sub> LED	Forward Voltage	-	54	61.2	-	-	P <sub>LED</sub>	LED Power Consumption	-	17.3	29.4	Watt	If = 80 mA (typ.) Ta = 25°C	LTLED	LED Lifetime	30,000	-	-	Hrs.	If = 120 mA Ta = 25°C														
Symbol	Parameter	Min.	Typ.	Max.	Units	Condition																																																																																
I <sub>f</sub>	LED Forward Current	-	90	120	mA	Ta = 25°C																																																																																
V <sub>f</sub> LED	Forward Voltage	-	54	61.2	-	-																																																																																
P <sub>LED</sub>	LED Power Consumption	-	19.4	29.4	Watt	If = 90 mA (typ.) Ta = 25°C																																																																																
LTLED	LED Lifetime	30,000	-	-	Hrs.	If = 120 mA Ta = 25°C																																																																																
Symbol	Parameter	Min.	Typ.	Max.	Units	Condition																																																																																
I <sub>f</sub>	LED Forward Current	-	80	120	mA	Ta = 25°C																																																																																
V <sub>f</sub> LED	Forward Voltage	-	54	61.2	-	-																																																																																
P <sub>LED</sub>	LED Power Consumption	-	17.3	29.4	Watt	If = 80 mA (typ.) Ta = 25°C																																																																																
LTLED	LED Lifetime	30,000	-	-	Hrs.	If = 120 mA Ta = 25°C																																																																																
02	2019.08.06	6	2.2 Optical Characteristics Color / Chromaticity Coordinates <table border="1"><thead><tr><th>Color / Chromaticity Coordinates<sup>1)</sup> (CIE 1931)<sup>2)</sup></th><th>Red x<sup>3)</sup></th><th>Red y<sup>3)</sup></th><th>Green x<sup>3)</sup></th><th>Green y<sup>3)</sup></th><th>Blue x<sup>3)</sup></th><th>Blue y<sup>3)</sup></th><th>White x<sup>3)</sup></th><th>White y<sup>3)</sup></th></tr></thead><tbody><tr><td></td><td>0.654<sup>4)</sup></td><td>0.684<sup>4)</sup></td><td>0.180<sup>4)</sup></td><td>0.210<sup>4)</sup></td><td>0.017<sup>4)</sup></td><td>0.047<sup>4)</sup></td><td>0.283<sup>5)</sup></td><td>0.313<sup>5)</sup></td></tr><tr><td></td><td>0.278<sup>4)</sup></td><td>0.308<sup>4)</sup></td><td>0.689<sup>4)</sup></td><td>0.719<sup>4)</sup></td><td>0.124<sup>4)</sup></td><td>0.154<sup>4)</sup></td><td>0.299<sup>5)</sup></td><td>0.329<sup>5)</sup></td></tr></tbody></table>	Color / Chromaticity Coordinates <sup>1)</sup> (CIE 1931) <sup>2)</sup>	Red x <sup>3)</sup>	Red y <sup>3)</sup>	Green x <sup>3)</sup>	Green y <sup>3)</sup>	Blue x <sup>3)</sup>	Blue y <sup>3)</sup>	White x <sup>3)</sup>	White y <sup>3)</sup>		0.654 <sup>4)</sup>	0.684 <sup>4)</sup>	0.180 <sup>4)</sup>	0.210 <sup>4)</sup>	0.017 <sup>4)</sup>	0.047 <sup>4)</sup>	0.283 <sup>5)</sup>	0.313 <sup>5)</sup>		0.278 <sup>4)</sup>	0.308 <sup>4)</sup>	0.689 <sup>4)</sup>	0.719 <sup>4)</sup>	0.124 <sup>4)</sup>	0.154 <sup>4)</sup>	0.299 <sup>5)</sup>	0.329 <sup>5)</sup>	2.2 Optical Characteristics Update R/G/B <table border="1"><thead><tr><th>Color / Chromaticity Coordinates<sup>1)</sup> (CIE 1931)<sup>2)</sup></th><th>Red x<sup>3)</sup></th><th>Red y<sup>3)</sup></th><th>Green x<sup>3)</sup></th><th>Green y<sup>3)</sup></th><th>Blue x<sup>3)</sup></th><th>Blue y<sup>3)</sup></th><th>White x<sup>3)</sup></th><th>White y<sup>3)</sup></th></tr></thead><tbody><tr><td></td><td>0.655<sup>4)</sup></td><td>0.685<sup>4)</sup></td><td>0.180<sup>4)</sup></td><td>0.210<sup>4)</sup></td><td>0.017<sup>4)</sup></td><td>0.047<sup>4)</sup></td><td>0.283<sup>5)</sup></td><td>0.313<sup>5)</sup></td></tr><tr><td></td><td>0.280<sup>4)</sup></td><td>0.310<sup>4)</sup></td><td>0.677<sup>4)</sup></td><td>0.707<sup>4)</sup></td><td>0.120<sup>4)</sup></td><td>0.150<sup>4)</sup></td><td>0.299<sup>5)</sup></td><td>0.329<sup>5)</sup></td></tr></tbody></table>	Color / Chromaticity Coordinates <sup>1)</sup> (CIE 1931) <sup>2)</sup>	Red x <sup>3)</sup>	Red y <sup>3)</sup>	Green x <sup>3)</sup>	Green y <sup>3)</sup>	Blue x <sup>3)</sup>	Blue y <sup>3)</sup>	White x <sup>3)</sup>	White y <sup>3)</sup>		0.655 <sup>4)</sup>	0.685 <sup>4)</sup>	0.180 <sup>4)</sup>	0.210 <sup>4)</sup>	0.017 <sup>4)</sup>	0.047 <sup>4)</sup>	0.283 <sup>5)</sup>	0.313 <sup>5)</sup>		0.280 <sup>4)</sup>	0.310 <sup>4)</sup>	0.677 <sup>4)</sup>	0.707 <sup>4)</sup>	0.120 <sup>4)</sup>	0.150 <sup>4)</sup>	0.299 <sup>5)</sup>	0.329 <sup>5)</sup>																												
Color / Chromaticity Coordinates <sup>1)</sup> (CIE 1931) <sup>2)</sup>	Red x <sup>3)</sup>	Red y <sup>3)</sup>	Green x <sup>3)</sup>	Green y <sup>3)</sup>	Blue x <sup>3)</sup>	Blue y <sup>3)</sup>	White x <sup>3)</sup>	White y <sup>3)</sup>																																																																														
	0.654 <sup>4)</sup>	0.684 <sup>4)</sup>	0.180 <sup>4)</sup>	0.210 <sup>4)</sup>	0.017 <sup>4)</sup>	0.047 <sup>4)</sup>	0.283 <sup>5)</sup>	0.313 <sup>5)</sup>																																																																														
	0.278 <sup>4)</sup>	0.308 <sup>4)</sup>	0.689 <sup>4)</sup>	0.719 <sup>4)</sup>	0.124 <sup>4)</sup>	0.154 <sup>4)</sup>	0.299 <sup>5)</sup>	0.329 <sup>5)</sup>																																																																														
Color / Chromaticity Coordinates <sup>1)</sup> (CIE 1931) <sup>2)</sup>	Red x <sup>3)</sup>	Red y <sup>3)</sup>	Green x <sup>3)</sup>	Green y <sup>3)</sup>	Blue x <sup>3)</sup>	Blue y <sup>3)</sup>	White x <sup>3)</sup>	White y <sup>3)</sup>																																																																														
	0.655 <sup>4)</sup>	0.685 <sup>4)</sup>	0.180 <sup>4)</sup>	0.210 <sup>4)</sup>	0.017 <sup>4)</sup>	0.047 <sup>4)</sup>	0.283 <sup>5)</sup>	0.313 <sup>5)</sup>																																																																														
	0.280 <sup>4)</sup>	0.310 <sup>4)</sup>	0.677 <sup>4)</sup>	0.707 <sup>4)</sup>	0.120 <sup>4)</sup>	0.150 <sup>4)</sup>	0.299 <sup>5)</sup>	0.329 <sup>5)</sup>																																																																														
1.0	2019.10.18	1	Preliminary Specifications	Final Specifications																																																																																		

<p>1.1</p>	<p>2020.03.13</p>	<p>29</p>	<h3>9.2 Carton Package</h3> <p><b>9.2 Carton Package</b></p> <p>Max capacity : 8 PCS TFT-LCD module per carton          Max weight : 28.6 kg per carton          Outside dimension of carton : 735mm(L)* 258mm(W)*480mm(H)          Pallet size : 1060 mm * 760 mm * 132mm</p> <p>Box stacked          Module by air_Max : (1 *4) *2 layers + one pallet put 8 boxes + total 64pcs module          Module by sea_Max : (1*4) *2 layers + (1 *4) *2 layers , two pallet put 16 boxes + total 128pcs module          Module by sea_HQ_Max : (1*4) *2 layers+(1*4) *2 layers , two pallet put 16 boxes, total 128pcs module</p> <p>Box stacked          Module by air_Max : (1 *4) *2 layers + one pallet put 8 boxes + total 64pcs module          Module by sea_Max : (1*4) *2 layers + (1 *4) *2 layers , two pallet put 16 boxes + total 128pcs module          Module by sea_HQ_Max : (1*4) *2 layers+(1*4) *2 layers , two pallet put 16 boxes, total 128pcs module</p>	<h3>9.2 Carton Package</h3> <p><b>9.2 Carton Package</b></p> <p>Max capacity : 7 PCS TFT-LCD module per carton          Max weight : 26.0 kg per carton          Outside dimension of carton : 718mm(L)* 318mm(W)*468mm(H)          Pallet size : 980 mm * 740 mm * 132mm</p> <p>Box stacked          Module by air_Max : (1 *3) *2 layers + one pallet put 6 boxes + total 42pcs module          Module by sea_Max : (1*3) *2 layers + (1 *3) *2 layers , two pallet put 12 boxes + total 84 pcs module          Module by sea_HQ_Max : (1*3) *2 layers+(1*3) *2 layers , two pallet put 12 boxes, total 84pcs module</p>				
<p>1.2</p>	<p>2020.04.15</p>	<p>10</p>	<p>Incorrect CTN information in block diagram -          CTN1: 30pin; CTN2: 40pin</p> <p>3. Functional Block Diagram          The following diagram shows the functional block of the 27 inch color TFT/LCD module:</p> <p>Control Board</p>	<p>Correct CTN information in block diagram -          CTN1: 51pin; CTN2: 41pin</p> <p>Control Board</p>				
		<p>26</p>	<p>The height of drop test: 60cm</p> <table border="1"> <tr> <td>Drop Test</td> <td>Height: 60 cm, package test</td> </tr> </table>	Drop Test	Height: 60 cm, package test	<p>Correct the height of drop test: 45.7cm</p> <table border="1"> <tr> <td>Drop Test</td> <td>Height: 45.7 cm, package test</td> </tr> </table>	Drop Test	Height: 45.7 cm, package test
Drop Test	Height: 60 cm, package test							
Drop Test	Height: 45.7 cm, package test							

## 1. Operating Precautions

- 1) Since front polarizer is easily damaged, please be cautious and not to scratch it.
- 2) Be sure to turn off power supply when inserting or disconnecting from input connector.
- 3) Wipe off water drop immediately. Long contact with water may cause discoloration or spots.
- 4) When the panel surface is soiled, wipe it with absorbent cotton or soft cloth.
- 5) Since the panel is made of glass, it may be broken or cracked if dropped or bumped on hard surface.
- 6) To avoid ESD (Electro Static Discharge) damage, be sure to ground yourself before handling TFT-LCD Module.
- 7) Do not open nor modify the module assembly.
- 8) Do not press the reflector sheet at the back of the module to any direction.
- 9) In case if a module has to be put back into the packing container slot after it was taken out from the container, do not press the center of the LED light bar edge. Instead, press at the far ends of the LED light bar edge softly. Otherwise the TFT Module may be damaged.
- 10) At the insertion or removal of the Signal Interface Connector, be sure not to rotate nor tilt the Interface Connector of the TFT Module.
- 11) TFT-LCD Module is not allowed to be twisted & bent even force is added on module in a very short time.  
Please design your display product well to avoid external force applying to module by end-user directly.
- 12) Small amount of materials having no flammability grade is used in the LCD module. The LCD module should be supplied by power complied with requirements of Limited Power Source (IEC60950 or UL1950), or be applied exemption.
- 13) Severe temperature condition may result in different luminance, response time and lamp ignition voltage.
- 14) Continuous operating TFT-LCD display under low temperature environment may accelerate lamp exhaustion and reduce luminance dramatically.
- 15) The data on this specification sheet is applicable when LCD module is placed in landscape position.
- 16) Continuous displaying fixed pattern may induce image sticking. It's recommended to use screen saver or shuffle content periodically if fixed pattern is displayed on the screen.

## 2. General Description

This specification applies to the 27 inch wide Color a-Si TFT-LCD Module – G270QAN01.0. The screen format is intended to support the WQHD - 2560(H) x 1440(V) and 16.7M colors. The input interface is 4 port LVDS and this module doesn't contain a driver board for backlight.

### 2.1 Display Characteristics

The following items are characteristics summary on the table under 25 °C condition:

Items	Unit	Specifications
Screen Diagonal	[inch]	27"
Active Area	[mm]	596.74 (H) × 335.66 (V)
Resolution		2560 X 1440
Pixel Pitch	[mm]	0.2331 (triad) x 0.2331
Pixel Arrangement		R.G.B. Vertical Stripe
Display Mode		AHVA
Nominal Input Voltage VDD	[Volt]	5
Power Consumption	[Watt]	Total: 21W (typ.) LCD = 3.7W @Full-White pattern, FV=60Hz BLU= 17.3W
Weight	[Grams]	3150(typ)
Physical Size	[mm]	630.0 x 368.2 x 15.05 (D) mm (Typ.)
Electrical Interface		4 channel LVDS
Surface Treatment		Anti-Glare
Support Color		16.7 M Colors ,True 8 Bit (RGB)
Temperature Range		
Operating	[°C]	0 to +50
Storage (Non-Operating)	[°C]	-20 to +60
RoHS Compliance		RoHS Compliance

## 2.2 Optical Characteristics

The optical characteristics are measured under stable conditions at 25 °C (Room Temperature):

Item	Unit	Conditions	Min.	Typ.	Max.	Note	
White Luminance	cd/m <sup>2</sup>	ILED=80mA(center point)	280	350	-	1	
Uniformity	%	9 points	75	80	-	2,3	
Contrast Ratio	--		700	1000	-	4	
Response Time	msec	Rising	-	8	18	5	
		Falling	-	8	18		
		Rising + Falling	-	16	36		
Viewing Angle	degree	Horizontal CR >= 10	(Right)	75	89	-	6
			(Left)	75	89	-	
		Vertical CR >= 10	(Upper)	70	89	-	
			(Lower)	70	89	-	
Color / Chromaticity Coordinates (CIE 1931)	--	Red x		0.655	0.685	0.715	
		Red y		0.280	0.310	0.340	
		Green x		0.180	0.210	0.240	
		Green y		0.677	0.707	0.737	
		Blue x		0.120	0.150	0.180	
		Blue y		0.020	0.050	0.080	
		White x		0.283	0.313	0.343	
		White y		0.299	0.329	0.359	
Color Gamut	%	Adobe		99			

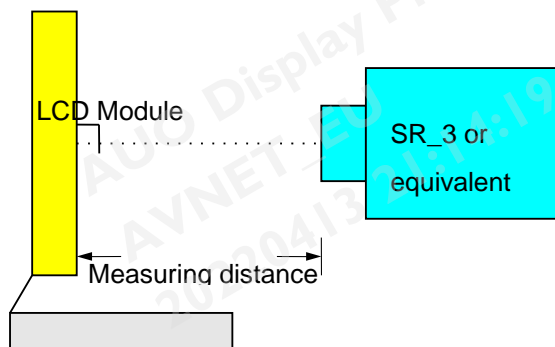
Note 1: Measurement method

Equipment Pattern Generator, Power Supply, Digital Voltmeter, Luminance meter (SR\_3 or equivalent)

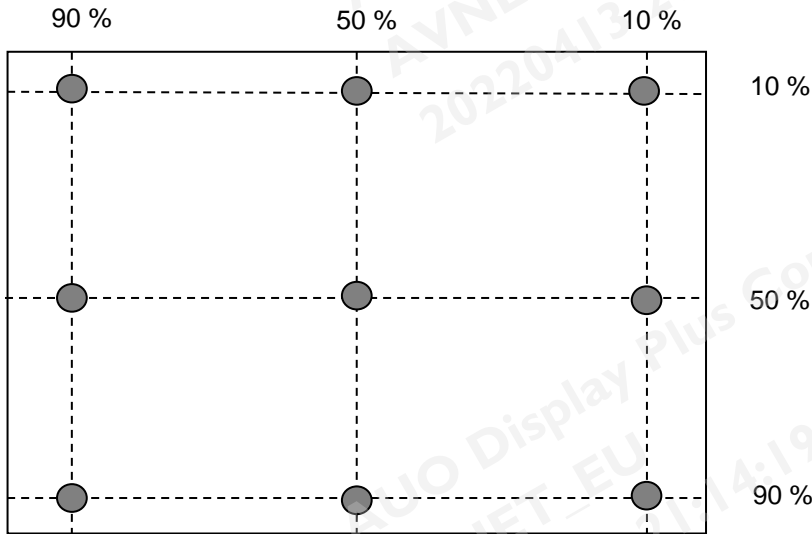
Aperture 1φ with 50cm viewing distance

Test Point Center

Environment < 1 lux



Note 2: Definition of 9 points position



Note 3: The luminance uniformity of 9 points is defined by dividing the minimum luminance values by the maximum test point luminance

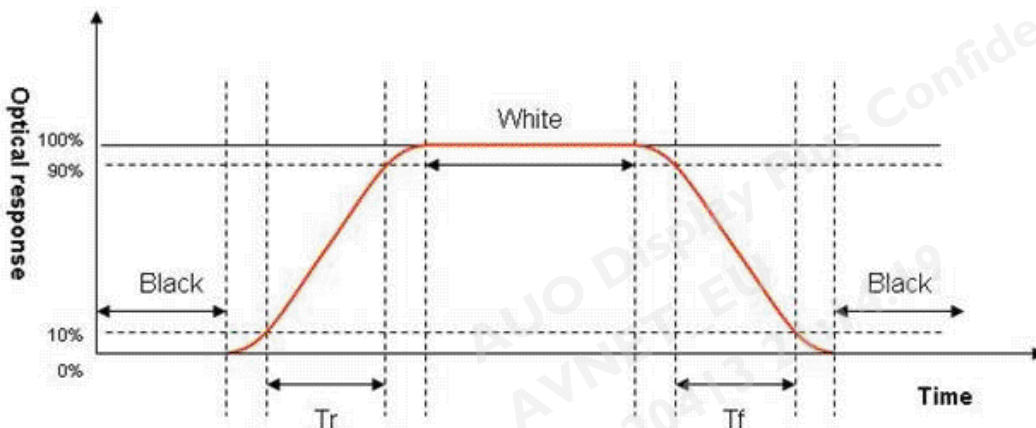
$$\delta w_9 = \frac{\text{Minimum Brightness of nine points}}{\text{Maximum Brightness of nine points}}$$

Note 4: Definition of contrast ratio (CR):

$$\text{Contrast ratio (CR)} = \frac{\text{Brightness on the "White" state}}{\text{Brightness on the "Black" state}}$$

Note 5: Definition of response time:

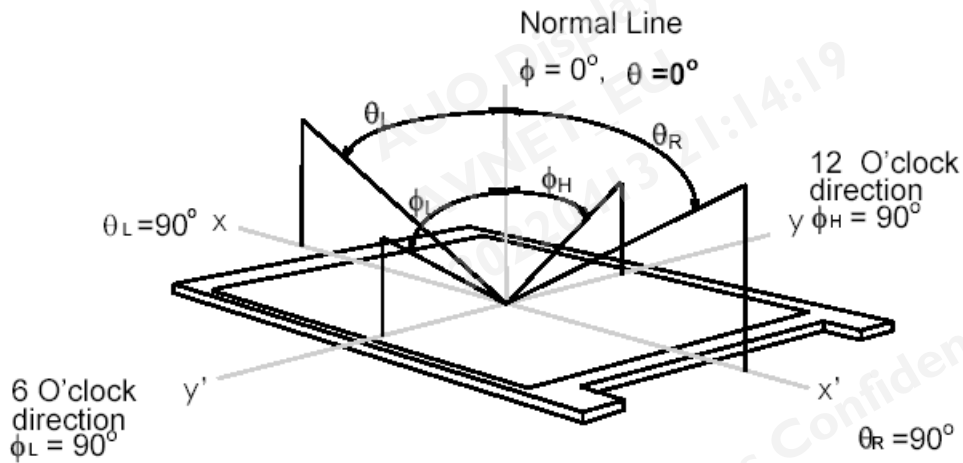
The output signals of photo detector are measured when the input signals are changed from "White" to "Black" (falling time) and from "Black" to "White" (rising time), respectively. The response time interval is between 10% and 90% of amplitudes. Please refer to the figure as below.





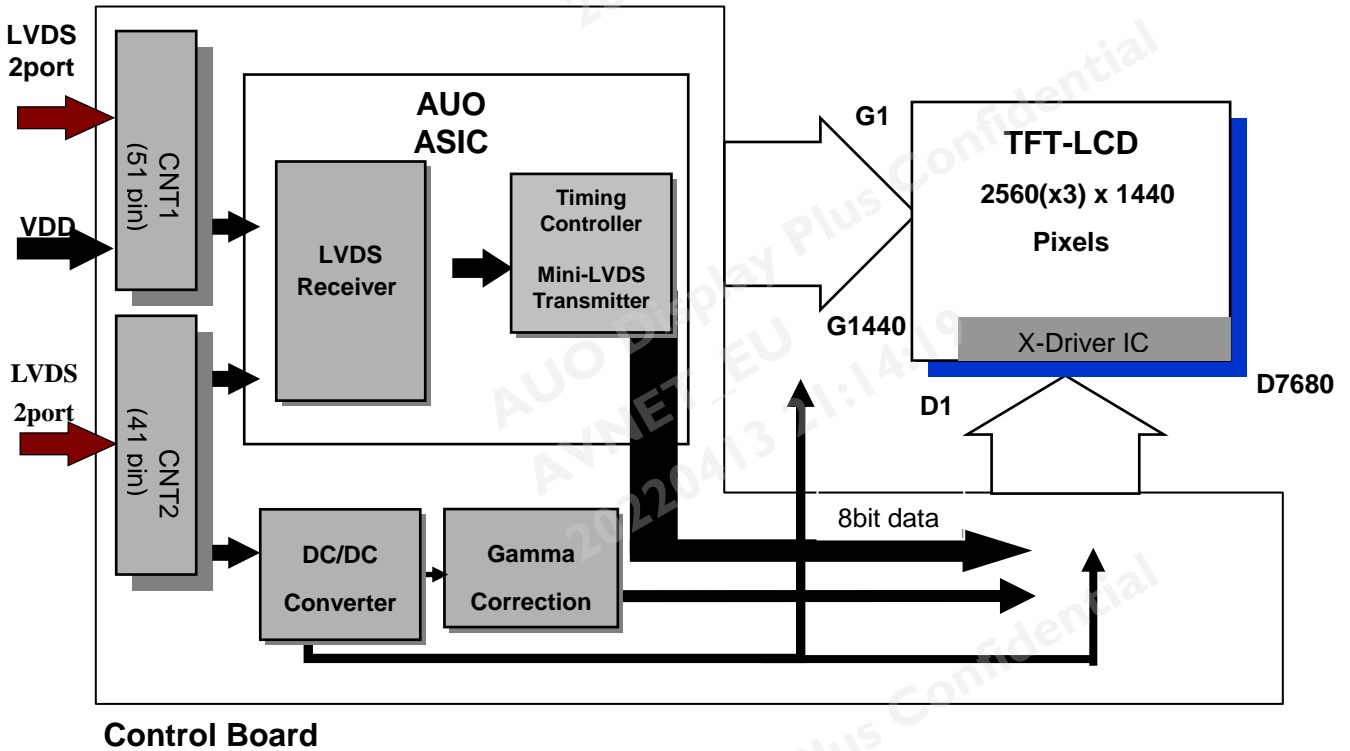
Note 6: Definition of viewing angle

Viewing angle is the measurement of contrast ratio  $\geq 10$ , at the screen center, over a  $180^\circ$  horizontal and  $180^\circ$  vertical range (off-normal viewing angles). The  $180^\circ$  viewing angle range is broken down as below:  $90^\circ$  ( $\theta$ ) horizontal left and right, and  $90^\circ$  ( $\Phi$ ) vertical high (up) and low (down). The measurement direction is typically perpendicular to the display surface with the screen rotated to its center to develop the desired measurement viewing angle.



**3. Functional Block Diagram**

The following diagram shows the functional block of the 27 inch color TFT/LCD module:



**4. Absolute Maximum Ratings**

**4.1 Absolute Ratings of TFT LCD Module**

Item	Symbol	Min.	Max.	Unit	Conditions
Logic/LCD Drive Voltage	VDD	-0.3	+7	[Volt]	Note 1, 2

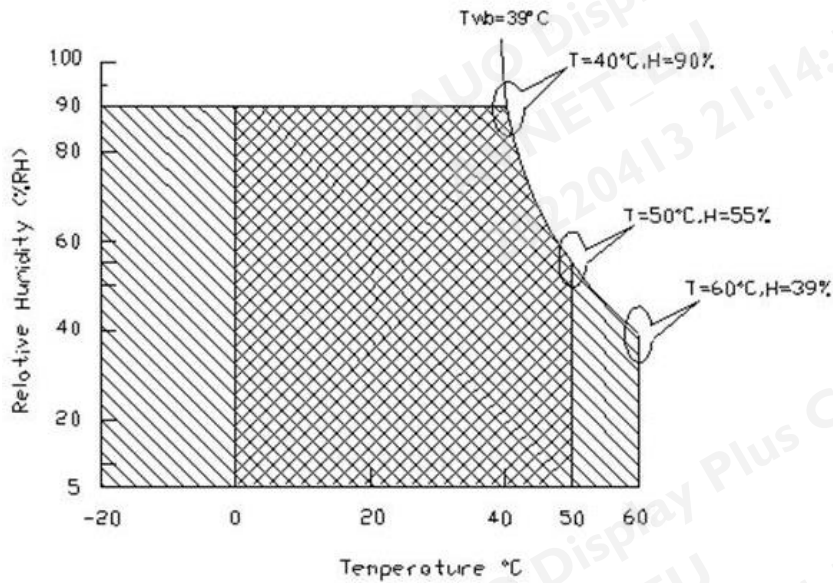
**4.2 Absolute Ratings of Environment**

Item	Symbol	Min.	Max.	Unit	Conditions
Operating	TOP	0	+50	[°C]	Note
Operation Humidity	HOP	5	90	[%RH]	
Storage	TST	-20	+60	[°C]	
Storage Humidity	HST	5	90	[%RH]	

Note 1: With in Ta= 25°C

Note 2: Permanent damage to the device may occur if exceed maximum values

Note 3: For quality performance, please refer to AUO IIS (Incoming Inspection Standard).



Operating Range

Storage Range +

## 5. Electrical Characteristics

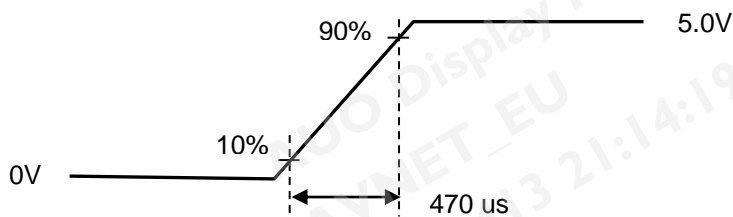
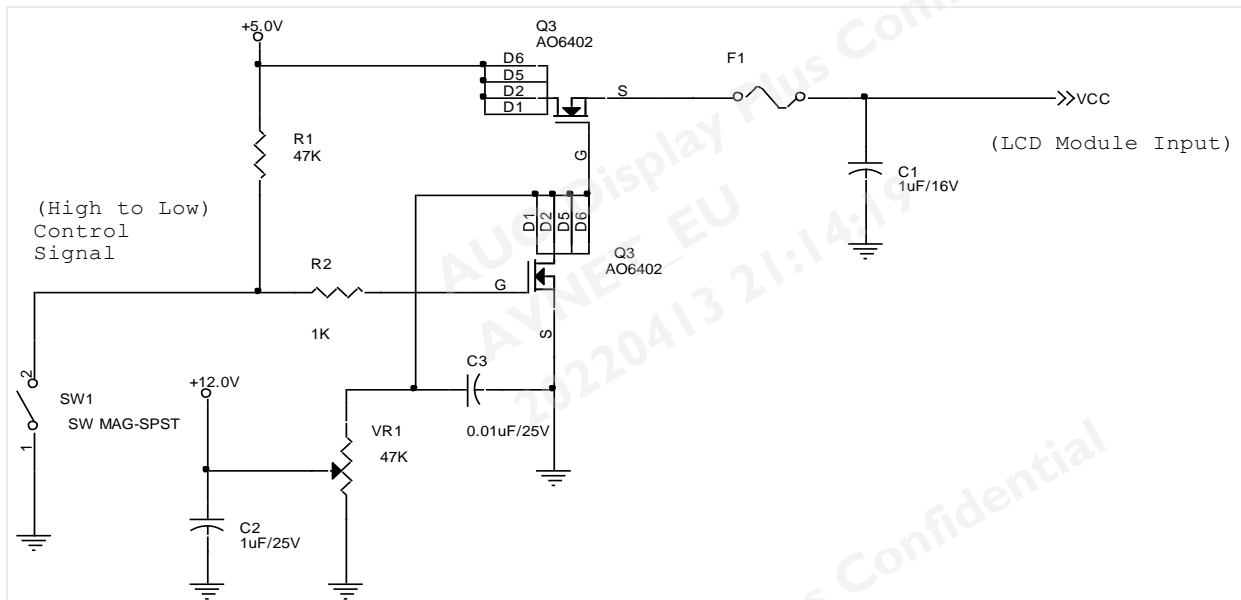
### 5.1 TFT LCD Module

#### 5.1.1 Power Specification

Input power specifications are shown as follows:

Symbol	Parameter	Min	Typ	Max	Units	Remark
VDD	Logic/LCD Drive Voltage	4.5	5	5.5	[Volt]	±10%
IDD	VDD Current	-	0.74	0.89	[A]	Vin=5V, White Pattern, at 60Hz
Irush	LCD Inrush Current	-	-	5	[A]	Note 1
PDD	VDD Power	-	3.7	4.5	[Watt]	Vin=5V, White Pattern, at 60Hz
VDDrp	Allowable Logic/LCD Drive Ripple Voltage	-	-	500	[mV] p-p	With panel loading

Note 1: Measurement condition:



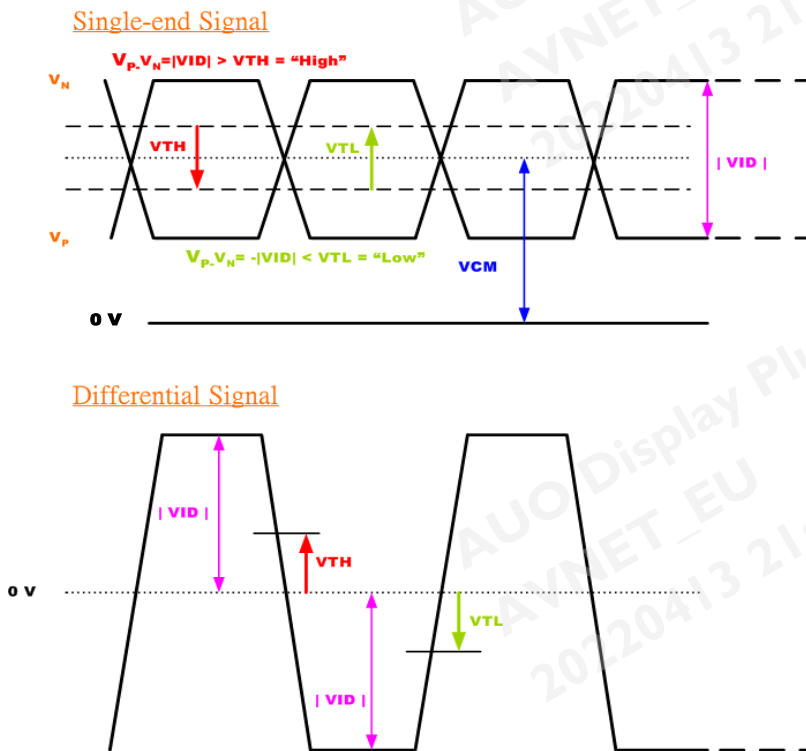
VDD rising time

Symbol	Item	Min.	Typ.	Max.	Unit	Remark
VTH	Differential Input High Threshold	-	-	+100	[mV]	VCM=1.2V
VTL	Differential Input Low Threshold	-100	-	-	[mV]	VCM=1.2V
VID	Input Differential Voltage	100	-	600	[mV]	
VICM	Differential Input Common Mode Voltage	+1.0	+1.2	+1.5	[V]	VTH/VTL=+-200mV

### 5.1.2 LVDS DC Signal Electrical Characteristics

Input signals shall be low or Hi-Z state when VDD is off.

Note: LVDS Signal Waveform.



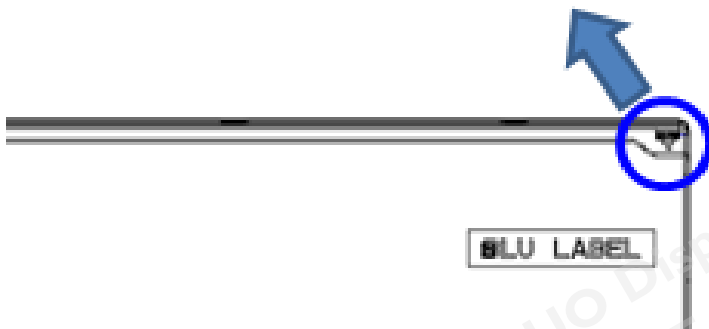
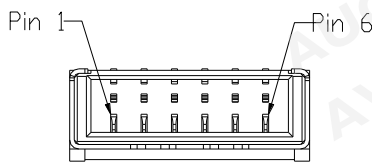
**5.2 Backlight Unit**

**5.2.1 LED Backlight Unit**

<b>Backlight Connector</b>	Manufacturer	ENTERY
	Part Number	3707K-S06N-21R
<b>Mating Connector</b>	Manufacturer	ENTERY
	Part Number	H112K-P06N-00B (Non-Locking type) H112K-P06N-03B (Locking type)

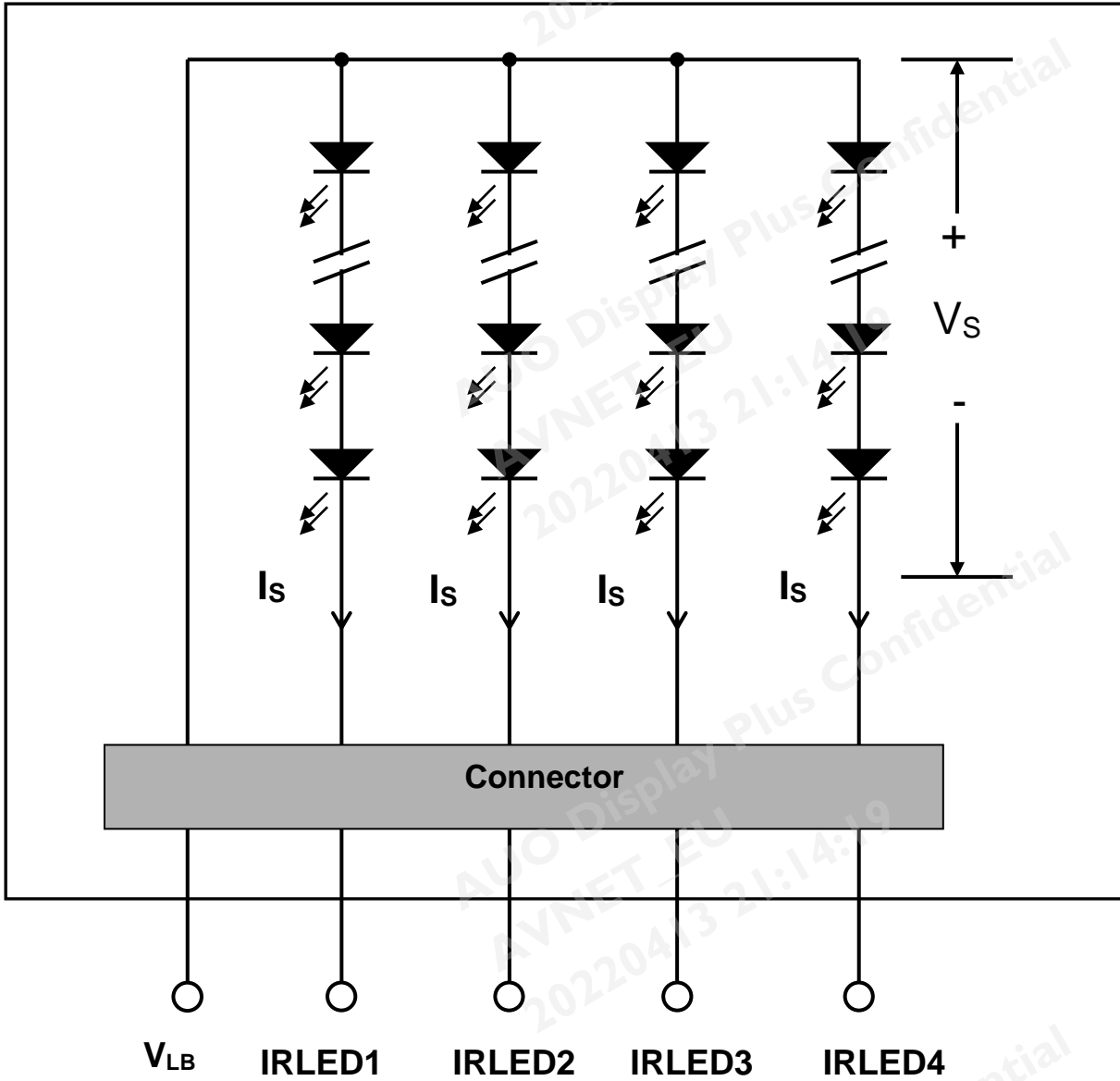
**5.2.2 Pin Assignment**

Pin no.	Signal name
1	Current Feedback
2	Current Feedback
3	VLED (voltage in)
4	VLED (voltage in)
5	Current Feedback
6	Current Feedback



The following shows the block diagram of 27 inch Backlight Unit. And it includes 72 LED in the LED light bar.

(4 strings and 18 pcs LED of one string)



## 5.2.3 Parameter guideline for LED

Following characteristics are measured under a stable condition using an inverter at 25°C (Room Temperature):

### LED characteristics

Symbol	Parameter	Min	Typ	Max	Units	Condition
I <sub>F</sub>	LED Forward Current		80	120	mA	Ta = 25°C
V <sub>F</sub> LED	Forward Voltage		54	61.2		
P <sub>LED</sub>	LED Power Consumption	-	17.3	29.4	Watt	IF =80 mA(typ) ,Ta = 25°C
LTLED	LED Lifetime	30,000			Hrs	IF=120 mA, Ta= 25°C

Note 1: Calculator value for reference P<sub>LED</sub> = V<sub>F</sub> (Normal Distribution) \* I<sub>F</sub> (Normal Distribution) / Efficiency

Note 2: The LED life-time define as the estimated time to 50% degradation of initial luminous.

Note 3: If module is driven by high current or at high ambient temperature & humidity condition, the operating life will be reduced.

Note 4: P<sub>LED</sub>, I<sub>F</sub> are defined for LED B/L. (100% duty of PWM dimming)

Note 5: I<sub>F</sub>, V<sub>F</sub> are defined for one channel LED.

Note 6: Ta means ambient temperature of TFT-LCD module.

Note 7: Each LED light bar consists of 72 pcs LED package ( 4 strings x 18 pcs / string ).

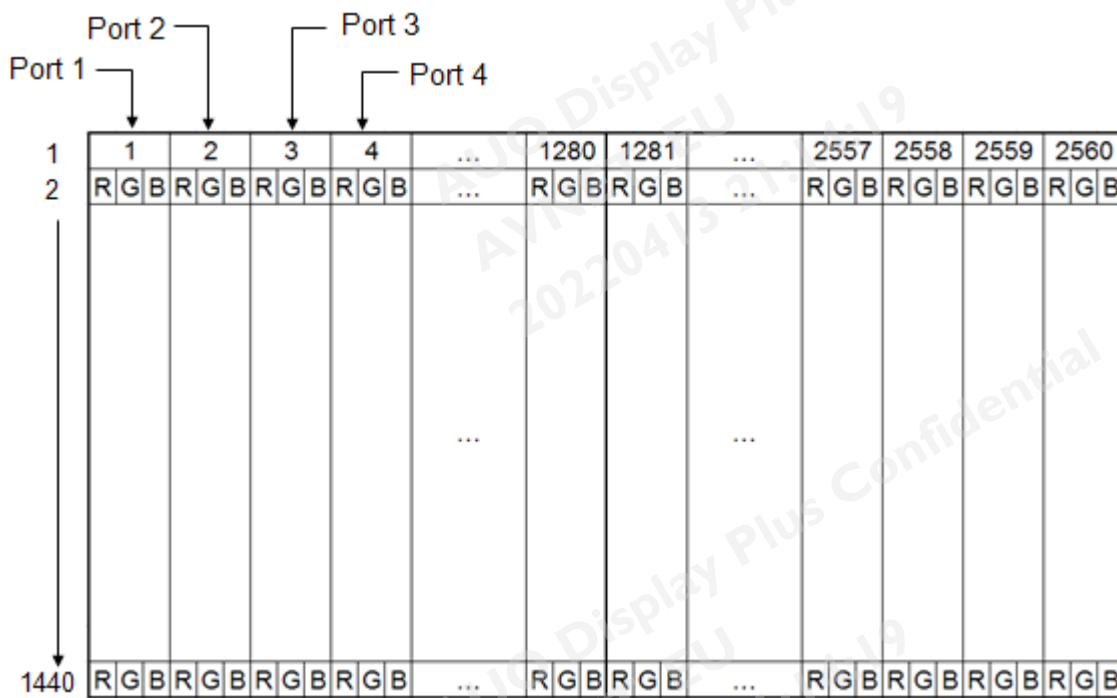


AUO Display Plus Confidential  
 AVNET\_EU  
 20220413 21:14:19

## 6. Signal Characteristic

### 6.1 Pixel Format Image

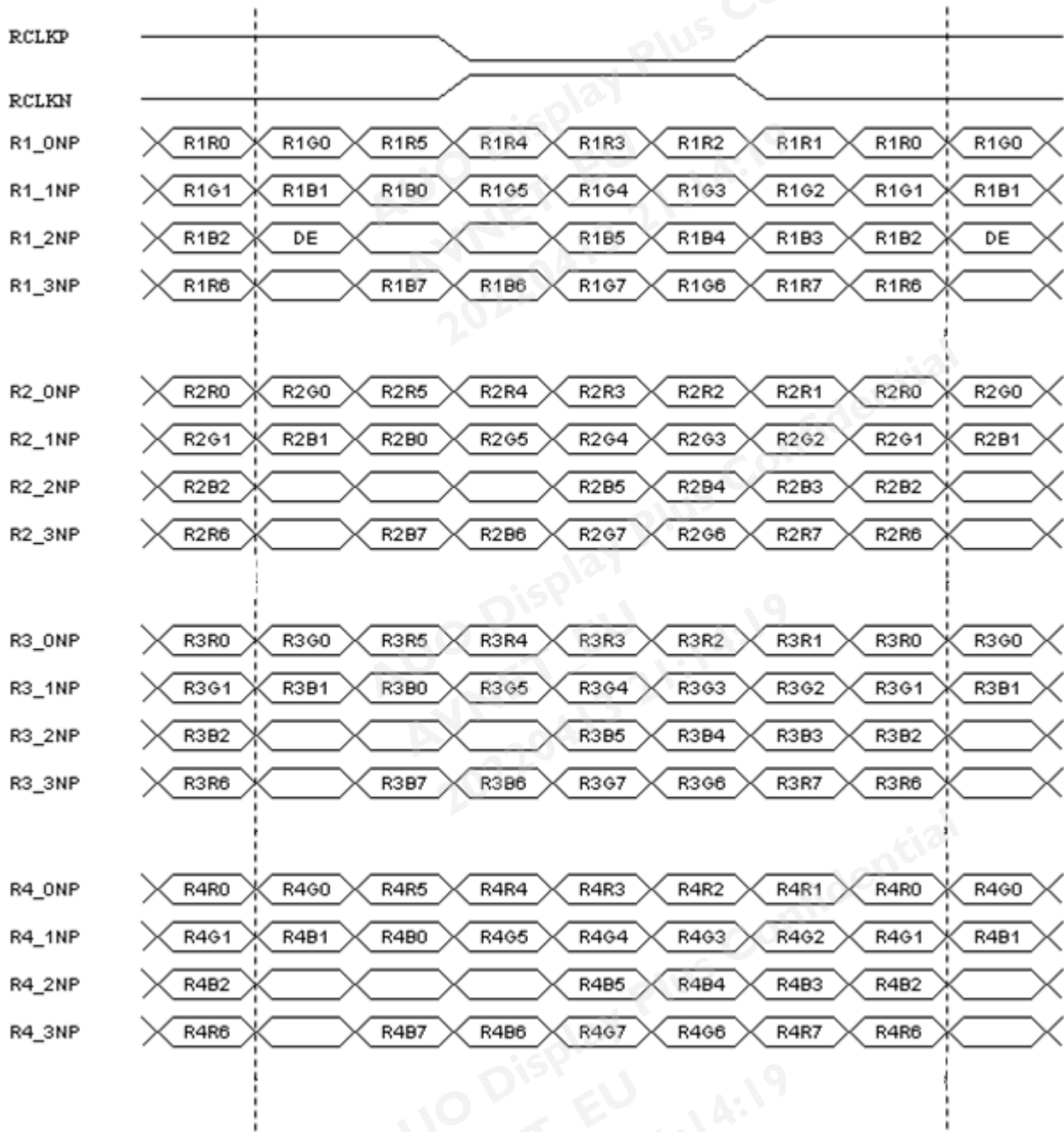
Following figure shows the relationship between input signal and LCD pixel format



**Note 1:** The module use 4port-LVDS interface.

- Port 1 : 4N+1 (1, 5.. 2557 pixel)
- Port 2 : 4N+2 (2, 6.. 2558 pixel)
- Port 3 : 4N+3 (3, 7.. 2559 pixel)
- Port 4 : 4N+4 (4, 8.. 2560 pixel)
- N = 0, 1 ~639

**6.2 LVDS Data Format**



## 6.3 Signal Description

### 6.3.1 TFT LCD Module: LVDS Connector

TFT-LCD Connector (CNT1)	Manufacturer	JAE	P-TWO
	Part Number	FI-RE51S-HF	187059-5122
TFT-LCD Connector (CNT2)	Manufacturer	JAE	P-TWO
	Part Number	FI-RE41S-HF	187060-4122
Mating Connector (CNT1)	Manufacturer	JAE	
	Part Number	FI-RE51HL	
Mating Connector (CNT2)	Manufacturer	JAE	
	Part Number	FI-RE41HL	

### 6.3.2 Connector Pin Assignment

#### ■ LVDS CN1

PIN #	Symbol	Description	Remark
1	NC	No Connection (for AUO test only. Do not connect)	
2	NC	No Connection (for AUO test only. Do not connect)	
3	NC	No Connection (for AUO test only. Do not connect)	
4	NC	No Connection (for AUO test only. Do not connect)	
5	NC	No Connection (for AUO test only. Do not connect)	
6	NC	No Connection (for AUO test only. Do not connect)	
7	NC	No Connection (for AUO test only. Do not connect)	
8	NC	No Connection (for AUO test only. Do not connect)	
9	NC	No Connection (for AUO test only. Do not connect)	
10	NC	No Connection (for AUO test only. Do not connect)	
11	GND	Power Ground	
12	R1_ON	FIRST_ Negative LVDS differential data input	
13	R1_OP	FIRST_ Positive LVDS differential data input	
14	R1_1N	FIRST_ Negative LVDS differential data input	
15	R1_1P	FIRST_ Positive LVDS differential data input	
16	R1_2N	FIRST_ Negative LVDS differential data input	
17	R1_2P	FIRST_ Positive LVDS differential data input	

18	GND	Power Ground	
19	R1_CLKN	FIRST_ Negative LVDS differential clock input	
20	R1_CLKP	FIRST_ Positive LVDS differential clock input	
21	GND	Power Ground	
22	R1_3N	FIRST_ Negative LVDS differential data input	
23	R1_3P	FIRST_ Positive LVDS differential data input	
24	NC	No Connection (for AUO test only. Do not connect)	
25	NC	No Connection (for AUO test only. Do not connect)	
26	GND	Power Ground	
27	GND	Power Ground	
28	R2_0N	SECOND_ Negative LVDS differential data input	
29	R2_0P	SECOND_ Positive LVDS differential data input	
30	R2_1N	SECOND_ Negative LVDS differential data input	
31	R2_1P	SECOND_ Positive LVDS differential data input	
32	R2_2N	SECOND_ Negative LVDS differential data input	
33	R2_2P	SECOND_ Positive LVDS differential data input	
34	GND	Power Ground	
35	R2_CLKN	SECOND_ Negative LVDS differential clock input	
36	R2_CLKP	SECOND_ Positive LVDS differential clock input	
37	GND	Power Ground	
38	R2_3N	SECOND_ Negative LVDS differential data input	
39	R2_3P	SECOND_ Positive LVDS differential data input	
40	NC	No Connection (for AUO test only. Do not connect)	
41	NC	No Connection (for AUO test only. Do not connect)	
42	GND	Power Ground	
43	GND	Power Ground	
44	GND	Power Ground	
45	NC	No connection (for AUO test only. Do not connect)	
46	VDD	Power +5V	
47	VDD	Power +5V	
48	VDD	Power +5V	
49	VDD	Power +5V	
50	VDD	Power +5V	
51	VDD	Power +5V	

## ■ LVDS CN2

PIN #	Symbol	Description	Remark
1	NC	No Connection (for AUO test only. Do not connect)	
2	NC	No Connection (for AUO test only. Do not connect)	
3	NC	No Connection (for AUO test only. Do not connect)	
4	NC	No Connection (for AUO test only. Do not connect)	
5	NC	No Connection (for AUO test only. Do not connect)	
6	NC	No Connection (for AUO test only. Do not connect)	
7	NC	No Connection (for AUO test only. Do not connect)	
8	NC	No Connection (for AUO test only. Do not connect)	
9	GND	Power Ground	
10	R3_ON	THIRD_ Negative LVDS differential data input	
11	R3_OP	THIRD_ Positive LVDS differential data input	
12	R3_1N	THIRD_ Negative LVDS differential data input	
13	R3_1P	THIRD_ Positive LVDS differential data input	
14	R3_2N	THIRD_ Negative LVDS differential data input	
15	R3_2P	THIRD_ Positive LVDS differential data input	
16	GND	Power Ground	
17	R3_CLKN	THIRD_ Negative LVDS differential clock input	
18	R3_CLKP	THIRD_ Positive LVDS differential clock input	
19	GND	Power Ground	
20	R3_3N	THIRD_ Negative LVDS differential data input	
21	R3_3P	THIRD_ Positive LVDS differential data input	
22	NC	No Connection (for AUO test only. Do not connect)	
23	NC	No Connection (for AUO test only. Do not connect)	
24	GND	Power Ground	
25	GND	Power Ground	

26	R4_ON	FOURTH_ Negative LVDS differential data input	
27	R4_OP	FOURTH_ Positive LVDS differential data input	
28	R4_1N	FOURTH_ Negative LVDS differential data input	
29	R4_1P	FOURTH_ Positive LVDS differential data input	
30	R4_2N	FOURTH_ Negative LVDS differential data input	
31	R4_2P	FOURTH_ Positive LVDS differential data input	
32	GND	Power Ground	
33	R4_CLKN	FOURTH_ Negative LVDS differential clock input	
34	R4_CLKP	FOURTH_ Positive LVDS differential clock input	
35	GND	Power Ground	
36	R4_3N	FOURTH_ Negative LVDS differential data input	
37	R4_3P	FOURTH_ Positive LVDS differential data input	
38	NC	No Connection (for AUO test only. Do not connect)	
39	NC	No Connection (for AUO test only. Do not connect)	
40	GND	Power Ground	
41	GND	Power Ground	

## 6.4 Interface Timing

### 6.4.1 Timing Characteristics

Symbol	Description		Min.	Typ.	Max.	Unit	Remark
Tv	Vertical Section	Period	1452	1481	2299	Th	
Tdisp (v)		Active	1440	1440	1440	Th	
Tblk (v)		Blanking	12	41	859	Th	
Fv		Frequency	49	60	76	Hz	
Th	Horizontal Section	Period	679	680	1023	Tclk	
Tdisp (h)		Active	640	640	640	Tclk	
Tblk (h)		Blanking	39	40	383	Tclk	
Fh		Frequency	71.3	88.8	112.6	KHz	<b>Note 6-1</b>
Tclk	LVDS Clock	Period	13.1	16.6	20.6	ns	1/Fclk
Fclk		Frequency	48.4	60.4	76.5	MHz	<b>Note 6-2</b>

#### DE mode only

**Note 6-1:** The equation is listed as following. Please don't exceed the above recommended value.

$$Fh (\text{Min.}) = Fclk (\text{Min.}) / Th (\text{Min.});$$

$$Fh (\text{Typ.}) = Fclk (\text{Typ.}) / Th (\text{Typ.});$$

$$Fh (\text{Max.}) = Fclk (\text{Max.}) / Th (\text{Min.});$$

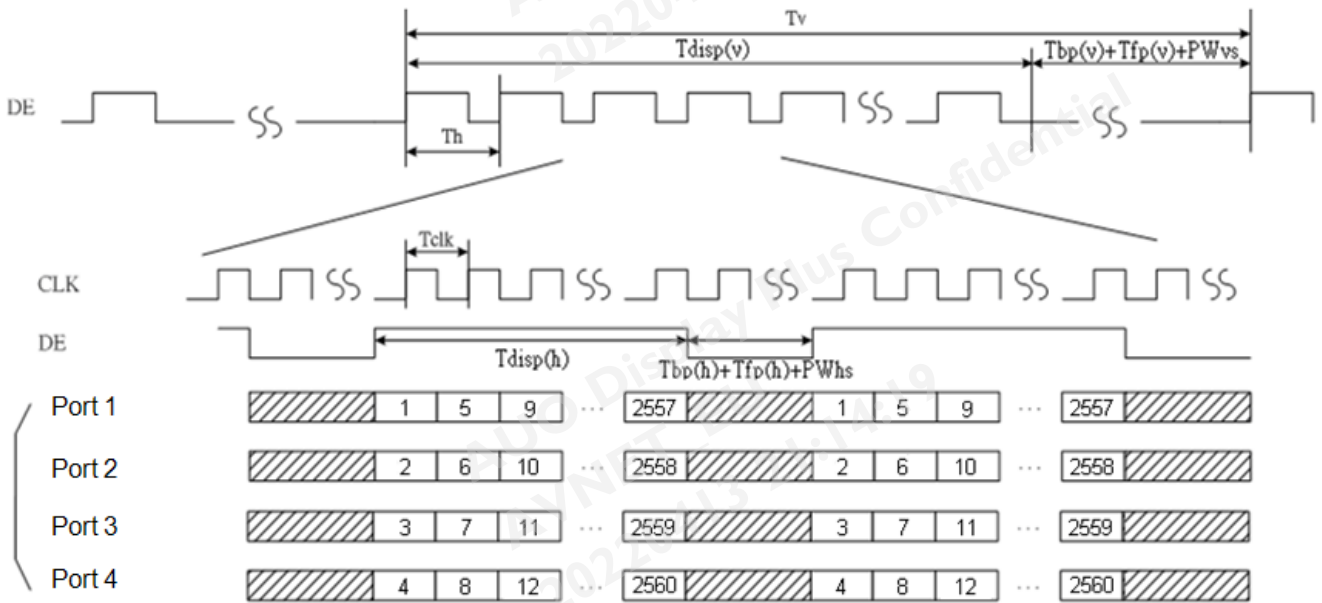
**Note 6-2:** The equation is listed as following. Please don't exceed the above recommended value.

$$Fclk (\text{Min.}) = Fv (\text{Min.}) \times Th (\text{Min.}) \times Tv (\text{Min.});$$

$$Fclk (\text{Typ.}) = Fv (\text{Typ.}) \times Th (\text{Typ.}) \times Tv (\text{Typ.});$$

$$Fclk (\text{Max.}) = Fv (\text{Max.}) \times Th (\text{Typ.}) \times Tv (\text{Typ.});$$

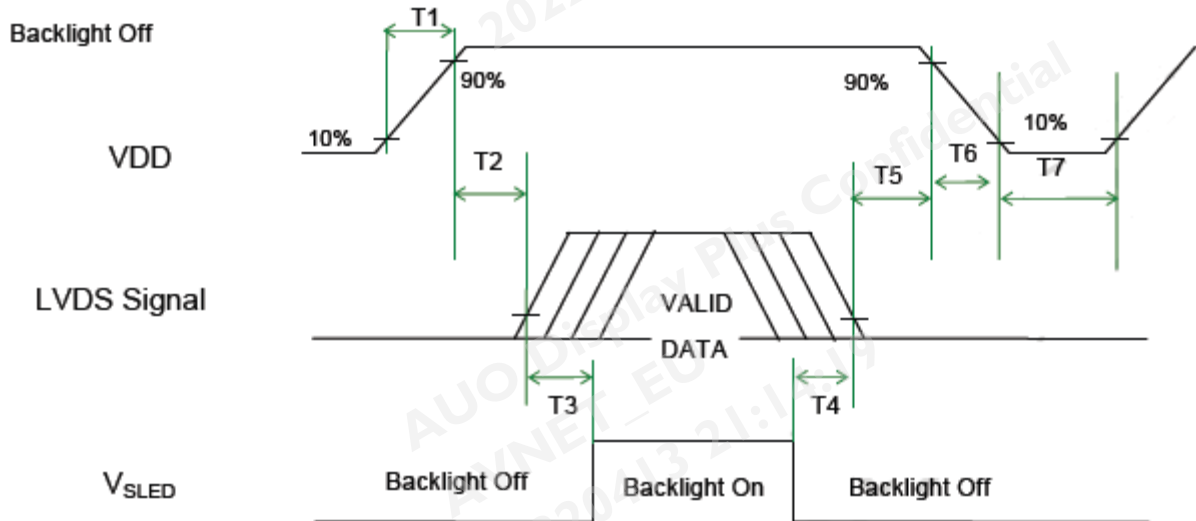
**6.4.2 Input Timing Diagram**





## 6.5 Power ON/OFF Sequence

VDD power, LVDS signal and backlight on/off sequence are as following. LVDS signals from any system shall be Hi-Z state when VDD is off.



### Power ON/OFF sequence timing

Parameter	Value			Units	Remark
	Min.	Typ.	Max.		
T1	0.5	-	10	[ms]	
T2	0	-	50	[ms]	
T3	500	-	--	[ms]	
T4	100	-	-	[ms]	
T5	0	-	50	[ms]	Note 6-4 Note 6-5
T6	0	-	200	[ms]	Note 6-4 Note 6-5
T7	1000	-	-	[ms]	

**Note 6-3:** Recommend setting T5=0ms to avoid electronic noise when VDD is off.

**Note 6-4:** During T5 and T6 Period, Please keep the level of input LVDS signals with Hi-Z state.

**Note 6-5:** Voltage of VDD must decay smoothly after power-off.(customer system decide this value)

## 7. Reliability Test Criteria

Items	Required Condition	Note
Temperature Humidity Bias (THB)	Ta= 50°C, 80%RH, 300hours	
High Temperature Operation (HTO)	Ta= 50°C, 300hours	
Low Temperature Operation (LTO)	Ta= 0°C, 300hours	
High Temperature Storage (HTS)	Ta= 60°C, 300hours	
Low Temperature Storage (LTS)	Ta= -20°C, 300hours	
Vibration Test (Non-operation)	Acceleration: 1.5 G Wave: Random Frequency: 10 - 200 Hz Sweep: 30 Minutes each Axis (X, Y, Z)	
Shock Test (Non-operation)	Acceleration: 50 G Wave: Half-sine Active Time: 20 ms Direction: ±X, ±Y, ±Z (one time for each Axis)	
Drop Test	Height: 45.7 cm, package test	
Thermal Shock Test (TST)	-20°C /30min, 60/°C 30min, 100 cycles	1
On/Off Test	On/10sec, Off/10sec, 30,000 cycles	
ESD (Electrostatic Discharge)	Contact Discharge: ± 8KV, 150pF(330Ω ) 1sec, 9 points, 25 times/ point.	2
	Air Discharge: ± 15KV, 150pF(330Ω ) 1sec 9 points, 25 times/ point.	
Altitude Test	Operation:10,000 ft Non-Operation:30,000 ft	

Note 1: The TFT-LCD module will not sustain damage after being subjected to 100 cycles of rapid temperature change. A cycle of rapid temperature change consists of varying the temperature from -20°C to 50°C, and back again. Power is not applied during the test. After temperature cycling, the unit is placed in normal room ambient for at least 4 hours before power on.

Note 2: According to EN61000-4-2 , ESD class B: Some performance degradation allowed. No data lost. Self-recoverable. No hardware failures.

Note 3:

- Water condensation is not allowed for each test items.
- Each test is done by new TFT-LCD module. Don't use the same TFT-LCD module repeatedly for reliability test.
- The reliability test is performed only to examine the TFT-LCD module capability.
- To inspect TFT-LCD module after reliability test, please store it at room temperature and room humidity for 24 hours at least in advance.
- No function failure occurs.



AUO Display+

# Product Specification

AU OPTRONICS CORPORATION

G270QAN01.0

AUO Display Plus C  
AVNET\_EU  
20220413 21:14:19

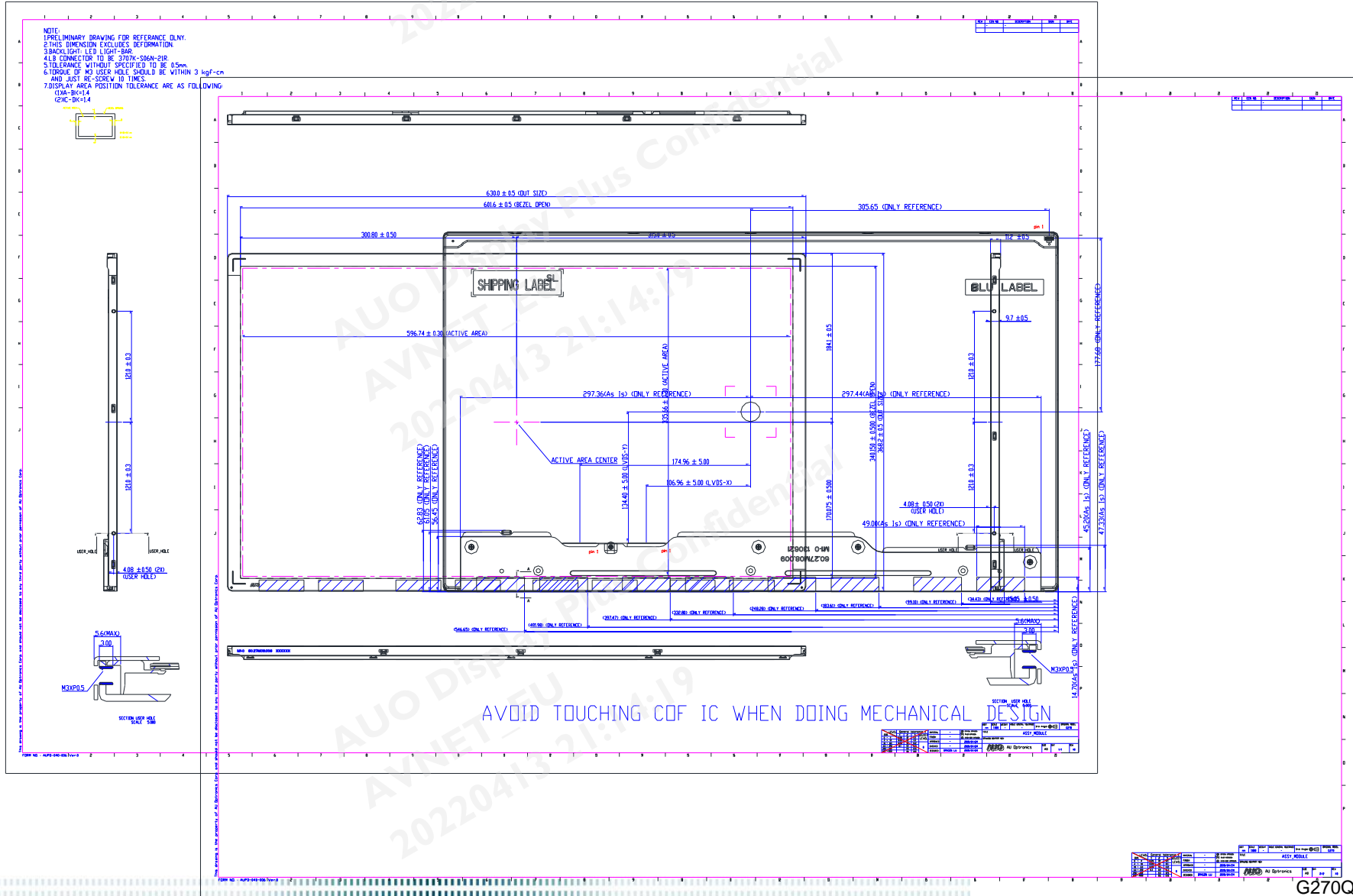
AUO Display Plus Confidential  
AVNET\_EU  
20220413 21:14:19

AUO Display Plus Confidential  
AVNET\_EU  
20220413 21:14:19

## 8. Mechanical Characteristics

### 8.1 LCM Outline Dimension





**9. Label and Packaging**

**9.1 Shipping Label** (on the rear side of TFT-LCD display)



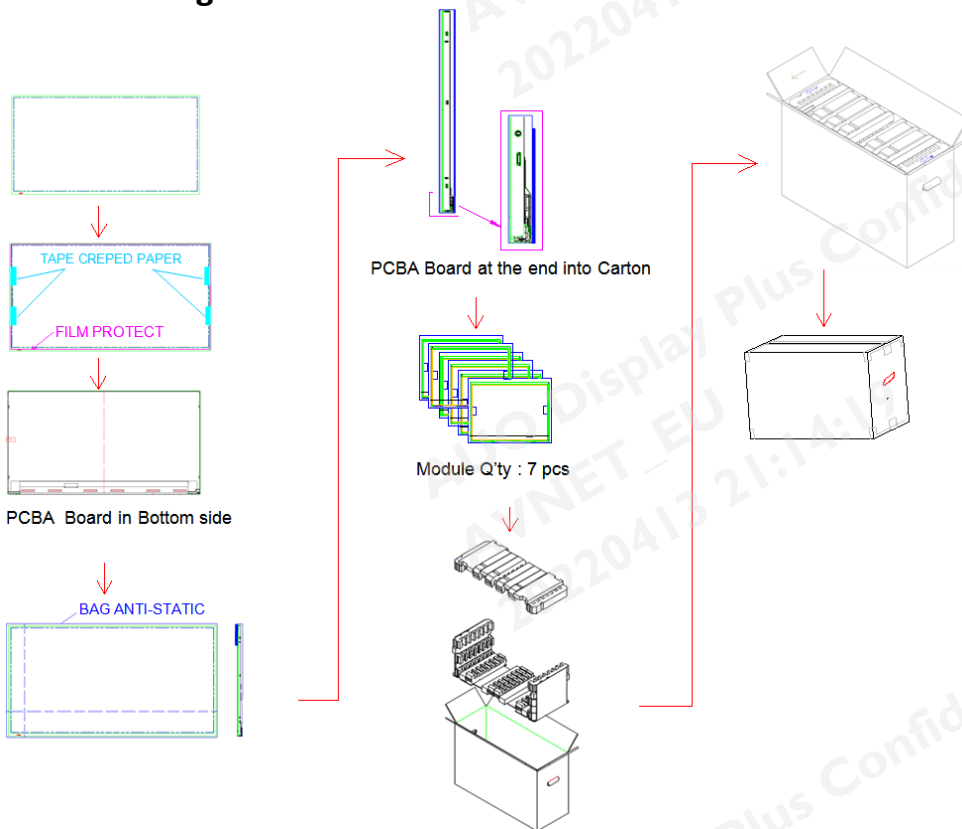
Note 1: For Pb Free products, AUO will add for identification.

Note 2: For RoHS compatible products, AUO will add for identification.

Note 3: For China RoHS compatible products, AUO will add for identification.

Note 4: The Green Mark will be presented only when the green documents have been ready by AUO Internal Green Team.

**9.2 Carton Package**



Max capacity : 7 PCS TFT-LCD module per carton

Max weight : 26.0 kg per carton

Outside dimension of carton : 718mm(L)\* 318mm(W)\*468mm(H)

Pallet size : 980 mm \* 740 mm \* 132mm

Box stacked

Module by air\_Max : (1 \*3) \*2 layers , one pallet put 6 boxes , total 42pcs module

Module by sea\_Max : (1\*3) \*2 layers + (1 \*3) \*2 layers , two pallet put 12 boxes , total 84 pcs module

Module by sea\_HQ\_Max : (1\*3) \*2 layers+(1\*3) \*2 layers, two pallet put 12 boxes, total 84pcs module

## 10 Safety

### 10.1 Sharp Edge Requirements

There will be no sharp edges or comers on the display assembly that could cause injury.

### 10.2 Materials

#### 10.2.1 Toxicity

There will be no carcinogenic materials used anywhere in the display module. If toxic materials are used, they will be reviewed and approved by the responsible AUO toxicologist.

#### 10.2.2 Flammability

All components including electrical components that do not meet the flammability grade UL94-V1 in the module will complete the flammability rating exception approval process.

The printed circuit board will be made from material rated 94-V1 or better. The actual UL flammability rating will be printed on the printed circuit board.

### 10.3 Capacitors

If any polarized capacitors are used in the display assembly, provisions will be made to keep them from being inserted backwards.

### 10.4 National Test Lab Requirement

The display module will satisfy all requirements for compliance to:

UL 60950-1 second edition

U.S.A. Information Technology Equipment